

SKF Rotating Nozzle for Cylinder Lubrication

Uniform lubricant coverage on inner cylinder surfaces



The rotating nozzle is designed for lubrication of the inner surfaces of a drilling or a cylinder making up a homogenous and continuous lubricant film.

A centralized lubrication system meters and delivers the lubricant, oil. It is then projected by the centrifugation force directly onto the inner surface of the cylinder, with an inner diameter superior to 35 mm and a length up to 150 mm.

Rotating nozzle

Rotating nozzle, length 150 mm. For other lengths, please consult SKF.

Order No. **RT-2006-01-150**

Control electronic board

An electronic board, set in factory, has been designed to control the motor of the rotating nozzle. The operating voltage of the board is 24 V DC

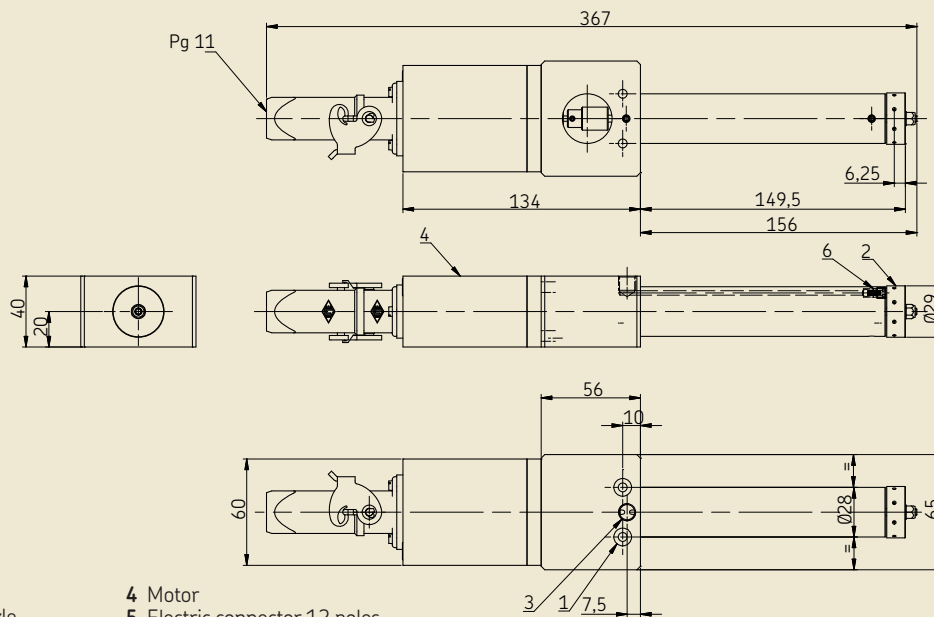
Order No. **RT-1043**

Technical data

RT-2006-01-150

Lubricant	Oil:	viscosity 1 500 mm ² /s
	Mounting position:	not relevant
Nozzle	Service temperature:	0 to 45 °C
	Shaft length:	150 mm
Motor	Unit weight:	ca. 1,2 kg
	Rotation speed max.:	16 500 rpm
	Rated rotation speed:	7 500 rpm
	Rated operating voltage:	24 V
	Rated current:	4.75 A
	Starting torque:	990 mNm
	Rated torque:	62 mNm

Rotating nozzle



- 1 2 × fixing holes Ø5
- 2 Centrifugation nozzle
- 3 Lubricant inlet G 1/8

- 4 Motor
- 5 Electric connector 12 poles
- 6 Check valve

To get an homogeneous surface lubrication use a distributor that delivers continuously lubricant during the total lubrication time.

When using grease select a lubricant whose soap and oil will not separate under the effect of the pressure. If necessary consult SKF.

© SKF is a registered trademark of the SKF Group.

© Group SKF 2012

The contents of this publication are the copyright of the publisher and may not be reproduced (even extracts) unless prior written permission is granted. Every care has been taken to ensure the accuracy of the information contained in this publication but no liability can be accepted for any loss or damage whether direct, indirect or consequential arising out of the use of the information contained herein.

PUB LS/P2 10363/2 EN · July 2012