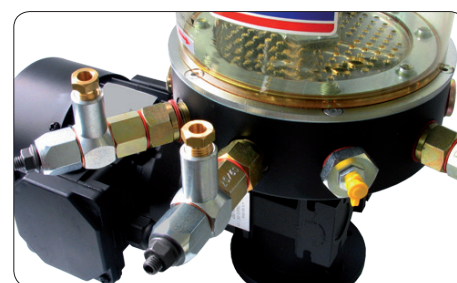
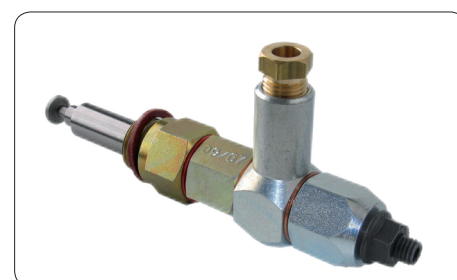


Motor-driven pump unit GSJB

Multi-outlet pump units with oil or grease reservoir designed for centralized lubrication systems



The motor-driven pump units GSJB have been especially designed for centralized lubrication systems that use disposable lubricants.

The multi-outlets pump units are suited perfectly for industrial requirements. They can feed, at the same time, a number of lubrication points (1-6) and progressive feeders and spray nozzles under hard operating conditions or in a severe operating environment.

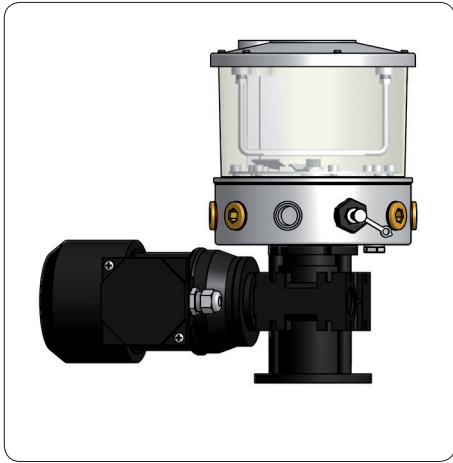
Different versions of the pump unit are available according to the capacity of the reservoir and the number of pump elements.

Advantages

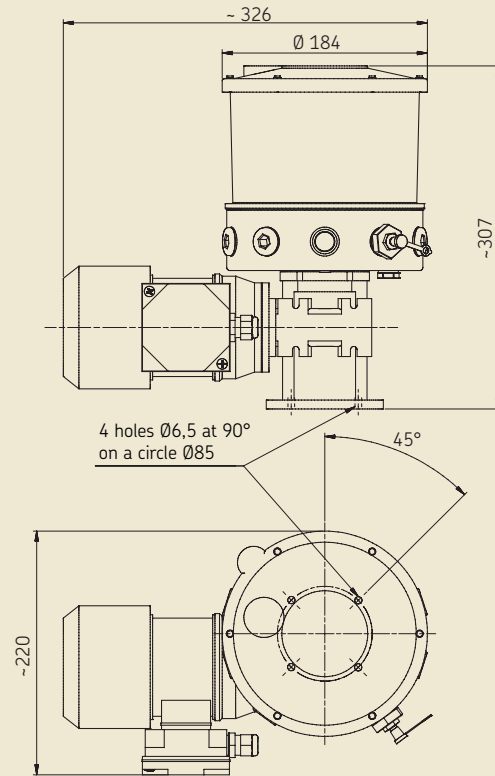
- Up to 6 pump elements
- Deliver lubricant directly to several lubrication points or to large-size progressive systems
- Reliability of the pump by means of the stirrer. It homogenizes the grease, no air bubbles. It reduces the risk of unpriming.
- Transparent reservoir, which makes the control of the grease easier.
- Possible to add a minimal level switch to the pump.
- Operating pressure up to 150 bars.
- The pump unit function can be entirely automated by means of an electronic control unit.

Motor-driven pump unit GSJB

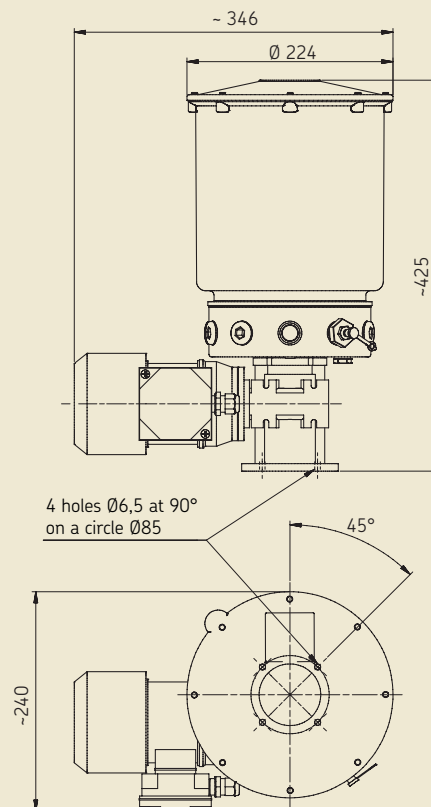
Motor-driven pump GSJB0-...
without level switch



GSJB0-2K



GSJB0-6K



See important product usage information on
the back cover.
See operating instruction 951-130-189.

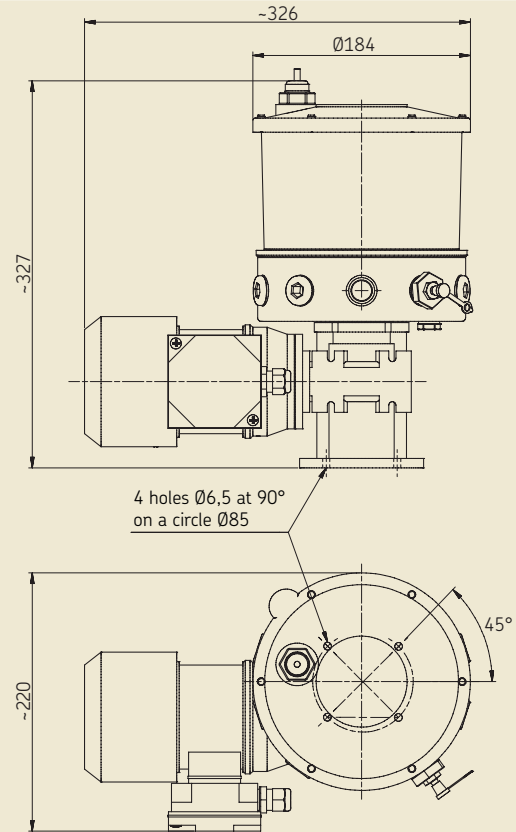
Motor-driven pump unit GSJB

Motor-driven pump GSJB0-... with level switch for greases NLGI grade 000, 00, 0 and 1



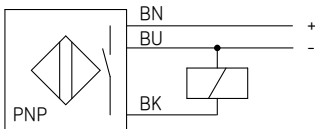
The level switch is an inductive proximity switch for greases and fluid greases. It is integrated into the cover of the reservoir.

GSJB0-2K1



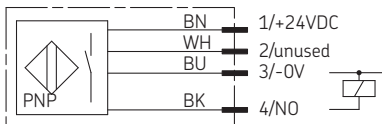
Level-switch, 2 kg reservoir

3-wire cable



Level-switch, 6 kg reservoir

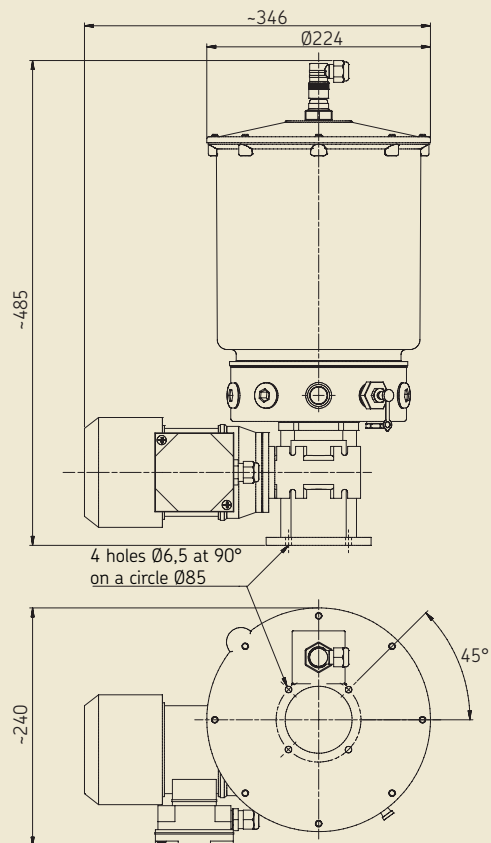
Round connector 4 poles



Note!

The level switch used for the pumps GSJB0-2K1... and GSJB0-6K1... must not be used for greases NLGI grade 2.

GSJB0-6K1

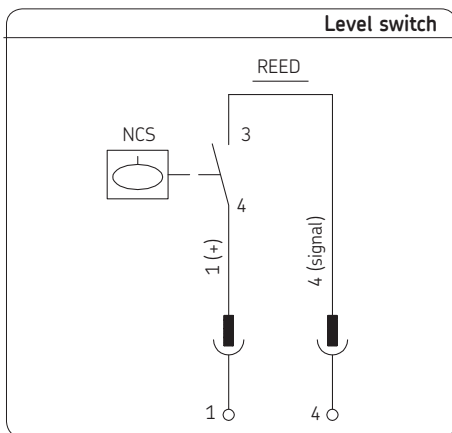


Motor-driven pump unit GSJB

Motor-driven pump GSJB0-... with level switch for greases NLGI grade 2



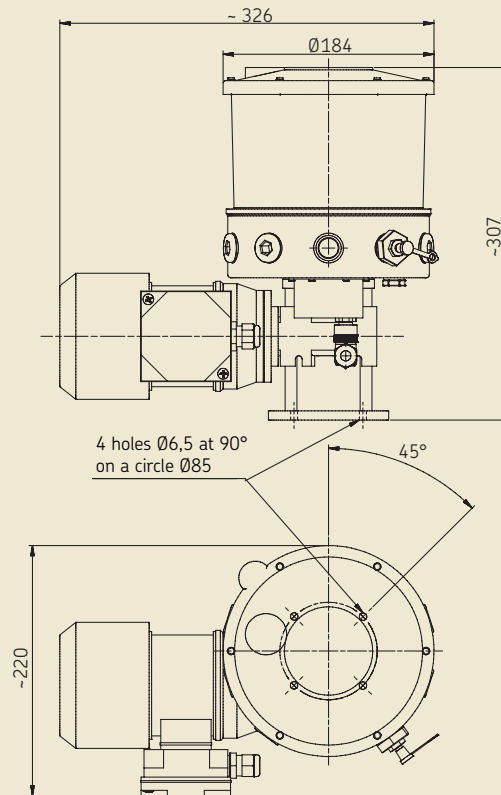
The level switch used here is designed as a rocker switch and is integrated into the bottom of the reservoir. A magnetic rocker mounted on the agitator is turned downward by grease resistance when the reservoir is full. Every time the agitator rotates, a pulse is generated. When the minimum fill level is reached, the resistance the grease exerts on the rocker subsides and the rocker turns back. Therefore, the pulse sequence is interrupted.



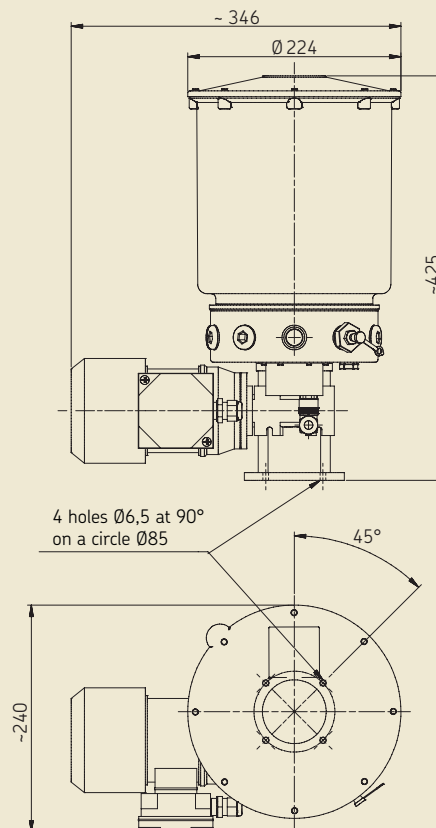
Caution!

The level switch used for the pumps GSJB0-2K5... and GSJB0-6K5... must only be used for greases NLGI grade 2.

GSJB0-2K5



GSJB0-6K5



Motor-driven pump unit GSJB

Technical data

Motor-driven pump unit GSJB

Number of outlets	1 to 6
Flow rate per outlet	0,75 to 2,25 cm ³ /min
Pressure max.	150 bar
Service temperature	-10 to +40 °C
Lubricant	grease up to NLGI grade 2
Outlet connector, orientable	1/4 BSP
Filling	cone-shaped grease nipple DIN71412 drilling G 1/4

Material

Housing	aluminum
Reservoir	polycarbonate

Weight

Unit with reservoir 2 kg	7,8 kg
Unit with reservoir 6 kg	8,8 kg

Motor

Voltage ¹⁾ and intensity	
1-phase	230 V ; 1,1 A
3-phase	230 / 400 V ; 0,59A / 0,34 A
Frequency	50 Hz / 60 Hz ²⁾
Power	90 W
Rotation speed	1 500 min ⁻¹
Duty ratio	100%
Protection	IP 55
Class	F/vented

1) Low voltage directive 73/23/EEC – Norm EN 60439

2) At 60 Hz rotation speed is multiplied by 1,2

3) No inductive load, no lamp load (light signal)

Greases grades 000, 00, 0 and 1

Min. level switch	
Type	PNP NO the contact opens once the min. level has been reached
Voltage max.	10 to 30 V DC
Current	6 to 12 mA

Grease grade 2

Min. level switch	
Function	mechanical, potential free Reed switch
Type	NO
Voltage max.	24 V DC
Power max.	0,6 W
Current	25 mA, ohmic load only ³⁾
Connection	DIN EN 60947/IEC 947
Connector	round M12x1

Motor-driven pump unit GSJB¹⁾

Order No.	Reservoir capacity [kg]	Grease, NLGI grade		Min. level	Power supply		Voltage ²⁾ [V]	Frequency [Hz]
		000, 00, 0 and 1	2		Single phase	three-phase		
GSJB0-2K+428	2	•	•		•		230	50
GSJB0-2K+140	2	•	•			•	230/400	50
GSJB0-2K1+428	2	•		•	•		230	50
GSJB0-2K1+140	2	•		•		•	230/400	50
GSJB0-2K5+428	2		•	•	•		230	50
GSJB0-2K5+140	2		•	•		•	230/400	50
GSJB0-6K+428	6	•	•		•		230	50
GSJB0-6K+140	6	•	•			•	230/400	50
GSJB0-6K1+428	6	•		•	•		230	50
GSJB0-6K1+140	6	•		•		•	230/400	50
GSJB0-6K5+428	6		•	•	•		230	50
GSJB0-6K5+140	6		•	•		•	230/400	50

1) Pump elements for GJSB units have to be ordered separately

2) Other operating voltages on request

Pump elements

A motor-driven pump unit can have up to 6 pumping elements.

Pumping element, piston $\varnothing 8$, tube connection $\varnothing 6$
 Order No. **GS100.8.6**

Pumping element, piston $\varnothing 8$, tube connection $\varnothing 8$
 Order No. **GS100.8.8**



Accessories

Electric connectors

Electric connector, round, 4-pole type, for min. level switch

Socket, straight, no cable, 0 to 30 V AC/DC 3A
 Order No. **179 990 371**

Socket, angled, no cable, 0 to 30 V AC/DC 3A
 Order No. **179 990 372**

Socket, straight, with cable 5 m, 10 to 30 V AC/DC 4A
 Order No. **179 990 600**

Socket, angled, with cable 5 m, 10 to 30 V AC/DC 4A
 Order No. **179 990 601**

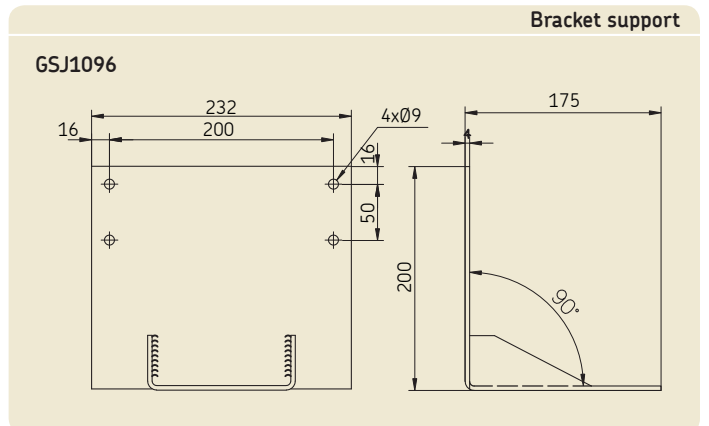
Relief valve

Relief valve, set at 150 bars, connection G 1/4
 Order No. **HK030.150R**

T connector, 3 x G 1/4 for tube $\varnothing 8$
 Order No. **NU308**

Bracket support

Bracket support Order No. **GSJ1096**



Motor-driven pump unit GSJB

Filling cylinder with filler socket

Filling cylinder complete **169-000-171**

Filler socket (1) **169-000-174**

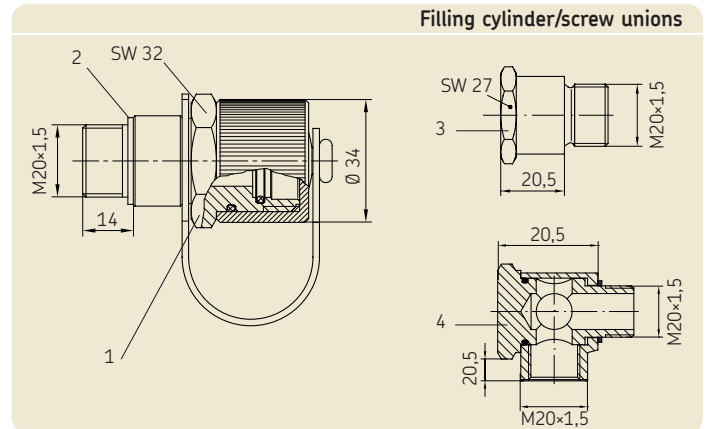
Washer (2) **DIN 7603-A20×24-AI**

Connecting piece for filler socket (3) **853-950-010**

Banjo fitting to change the filling position (4) **405-541-411**



Filling cylinder



Filling cylinder/screw unions

Filling device - quick-action coupling

Washer (1) **DIN 7603-A14×18 CU**

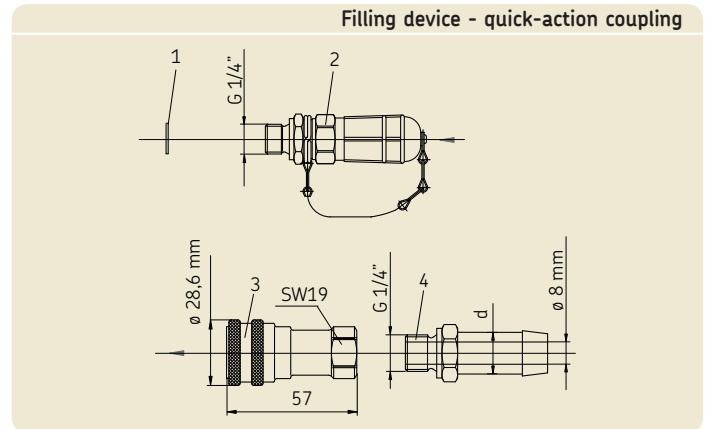
Filler socket (2) **995-000-705**

Coupling socket (3) **995-001-500**

Hose fitting for connection to to coupling socket

Diameter (d) 13 **857-760-007**

Diameter (d) 16 **857-870-002**



Filling device - quick-action coupling

Topping-up pump

Topping-up pump with an approx. delivery rate of 40 cm³/stroke

Pump with gear, for 25 kg drum

Order No. **169-000-042**

Pump with gear, for 50 kg drum

Order No. **169-000-054**

Pump without gear, for 25 kg drum

Order No. **169-000-342**

Corresponding filler socket

Order No. **995-000-705**



Topping-up pump

Order No.: 1-4002-1-EN

Subject to change without notice! (06/2015)

Important product usage information

All products from SKF may be used only for their intended purpose as described in this brochure and in any instructions. If operating instructions are supplied with the products, they must be read and followed.

Not all lubricants are suitable for use in centralized lubrication systems.

SKF does offer an inspection service to test customer supplied lubricant to determine if it can be used in a centralized system. SKF lubrication systems or their components are not approved for use with gases, liquefied gases, pressurized gases in solution and fluids with a vapor pressure exceeding normal atmospheric pressure (1013 mbars) by more than 0,5 bar at their maximum permissible temperature.

Hazardous materials of any kind, especially the materials classified as hazardous by European Community Directive EC 67/548/EEC, Article 2, Par. 2, may only be used to fill SKF centralized lubrication systems and components and delivered and/or distributed with the same after consulting with and receiving written approval from SKF.

Further brochures:

1-9201-EN Transport of Lubricants in Centralized Lubrication Systems

This brochure was presented by:

® SKF is a registered trademark of the SKF Group.

© SKF Group 2015

The contents of this publication are the copyright of the publisher and may not be reproduced (even extracts) unless prior written permission is granted. Every care has been taken to ensure the accuracy of the information contained in this publication but no liability can be accepted for any loss or damage whether direct, indirect or consequential arising out of the use of the information contained herein.

